

PROXI-BOX-C

INTELLIGENT EQUINE LED LIGHTING

PROXIMAL
EQUINE LIGHTING EXPERT

HEALTH, WELFARE & PERFORMANCES FOR HORSES



Model PROXI-BOX-C

KEY POINTS

- **Customized** digital lighting ID card for each horse
- **Non-disturbing** night stand-by lighting for horses
- **Programmable photostimulation** through artificial lighting (reproductive cycles for brood mares, stallion fertility, horse's circadian rhythms, ...)
- No glare effects through **uniform lighting**

1ST LIGHTING SOLUTION CONTROLLED BY PHYSIOLOGICAL CHARACTERISTICS OF THE HORSE, TAKING ACCOUNT ITS TEMPERAMENT AND VISION.



Photostimulation wavelength lighting



Non-disturbing night stand-by lighting for horses

PROXI-BOX-C

INTELLIGENT EQUINE LED LIGHTING

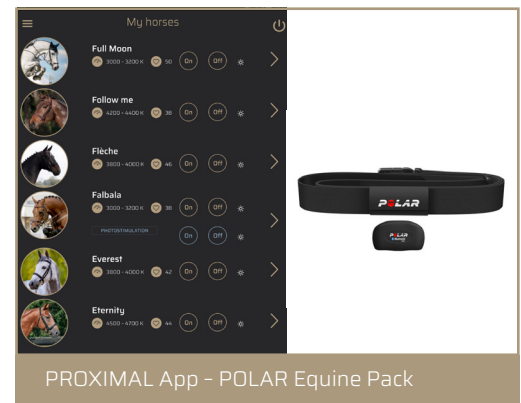
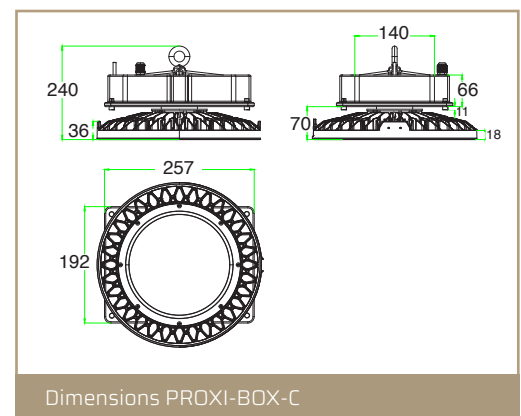
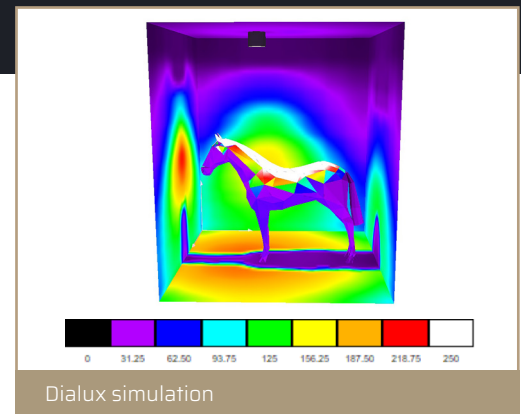


TECHNICAL FEATURES

Environment	
• Operating temperature	-10 °C to +40 °C
• Relative humidity	10% to 90%
Dimensions	
• PROXI-BOX-C 40W	Diameter: 300 mm - Height: 240 mm
Weight	
• PROXI-BOX-C 40W (6.5 kg)	
Housing/Finish	
• Luminaire body	Aluminium alloy
• Light source envelope	Polycarbonate
Electrical specifications/Connection	
• Power consumption	33 W (Warm white) - 33 W (Cool white) 57 W (Neutral white) - 115 W (Neutral white + Blue + Red) - 27 W (Red) - 51 W (Blue)
• Power supply	230 VAC
• Power supply device	Integrated into the luminaire
Installation	
• Fastening to the supporting structure	Suspended

MODEL : PROXI-BOX-C 60W 90°

Optical specifications				
• Correlated Colour Temperature	2650 K (Warm white) - 4000 K (Neutral white) - 6300 K (Cool white)			
• Colours	625 nm (Red) - 470 nm (Blue)			
• Luminous efficacy	90 lm/W			
• Luminous flux	5400 lm (Blanc chaud + Blanc froid)			
• General Colour Rendering Index (Ra)	>90			
• Expected lifetime (70% efficacy point)	50 000 hours			
• Illuminance	Distance	2 m	4 m	6 m
	Measured value	690 lx	175 lx	80 lx



REF. DS-PROXI-BOX-C-EN A